

# INSTRUCTIONS AND REPAIR PARTS LIST

22H TWO DOOR FEEDER - BROWER  
2HF DRY LOT FEEDER - BROWER  
22HP TWO DOOR FEEDER - PRIDE OF THE FARM  
2HFP DRY LOT FEEDER - PRIDE OF THE FARM

READ ALL DIRECTIONS CAREFULLY BEFORE BEGINNING INSTALLATION

TOOLS REQUIRED: Straight Blade Screwdriver, Phillips Head Screwdriver, Small Adjustable Wrench, Center Punch

## 22H And 22HP Parts List

Ref. No.	Part No.	Description	Qty	Repair
1	13878	Trough Assembly	1	*
2	13899	Back and Sides	1	*
3	13894	Front	1	*
4	13898A	Lower Panel Assembly	1	*
5	13897	Feed Slide Adjustment	1	*
<b>13891 - 22H and 22HP Hardware Bag contains Ref. No. 6-17.</b>				
6	OF182	1/4"-20 x 1/2" Philips Pan Head Machine Bolt, Zinc	37	
7	OF55	1/4"-20 Hex Nut, Zinc	38	
8	OF160	5/16"-18 Cold Forged Wing Nut, Zinc	2	
9	OF12	1/4"-20 X 3/4" Machine Bolt, Zinc	1	
10	OF214	10-24 x 1/2" Slotted Round Head Machine Bolt, Zinc	1	
11	OF53	10-24 Hex Nut, Zinc	1	
12	9319	Trough Brace	1	*
13	11839	Corner Brace	2	*
14	OF78	1/8" x 3/4" Steel Cotter Pin, Zinc	2	
15	OF121	3/8" ID X 7/8" OD Washer, Zinc	2	
16	13885	Top Hinge	2	*
17	13882	Lid Rod Holder	2	*
18	13892	5/16" x 24-1/4" Lid Rod, Zinc	2	*
19	13884	Lid	2	*
20	13895	Top	1	*

Parts available for repair have an asterisk (\*) in the repair column.

## 2HF And 2HFP Parts List

Ref. No.	Part No.	Description	Qty	Repair
1	13878	Trough Assembly	1	*
2	13899	Back and Sides	1	*
3	13894	Front	1	*
4	13898A	Lower Panel Assembly	1	*
5	13897	Feed Slide Adjustment	1	*
<b>13821 - 2HF and 2HFP Hardware Bag contains Ref. No. 6-13.</b>				
6	OF182	1/4"-20 x 1/2" Philips Pan Head Machine Bolt, Zinc	29	
7	OF55	1/4"-20 Hex Nut, Zinc	30	
8	OF160	5/16"-18 Cold Forged Wing Nut, Zinc	2	
9	OF12	1/4"-20 X 3/4" Machine Bolt, Zinc	1	
10	OF214	10-24 x 1/2" Slotted Round Head Machine Bolt, Zinc	1	
11	OF53	10-24 Hex Nut, Zinc	1	
12	9319	Trough Brace	1	*
13	11839	Corner Brace	2	*

Parts available for repair have an asterisk (\*) in the repair column.

### MODEL NUMBER

The MODEL NUMBERS are: 22H Two Door Feeder-Brower, 2HF Dry Lot Feeder-Brower, 22HP Two Door Feeder-Pride, 2HFP Dry Lot Feeder-Pride

### WHEN ORDERING PARTS

- (1) Show MODEL NUMBER and NAME: Example - 22H Two Door Feeder-Brower
- (2) Show PART NUMBER and FULL DESCRIPTION of part: Example - 13895 Top

### HOW TO ORDER PARTS

Repair Parts may be ordered from your dealer.



PO BOX 2000 • HOUGHTON, IOWA 52631 • USA  
PHONE 319-469-4141 FAX 319-469-4402  
www.hawkeyesteel.com E-mail: sales@hawkeyesteel.com



ISH22H  
REV. 3.4  
PRINTED IN U.S.A.

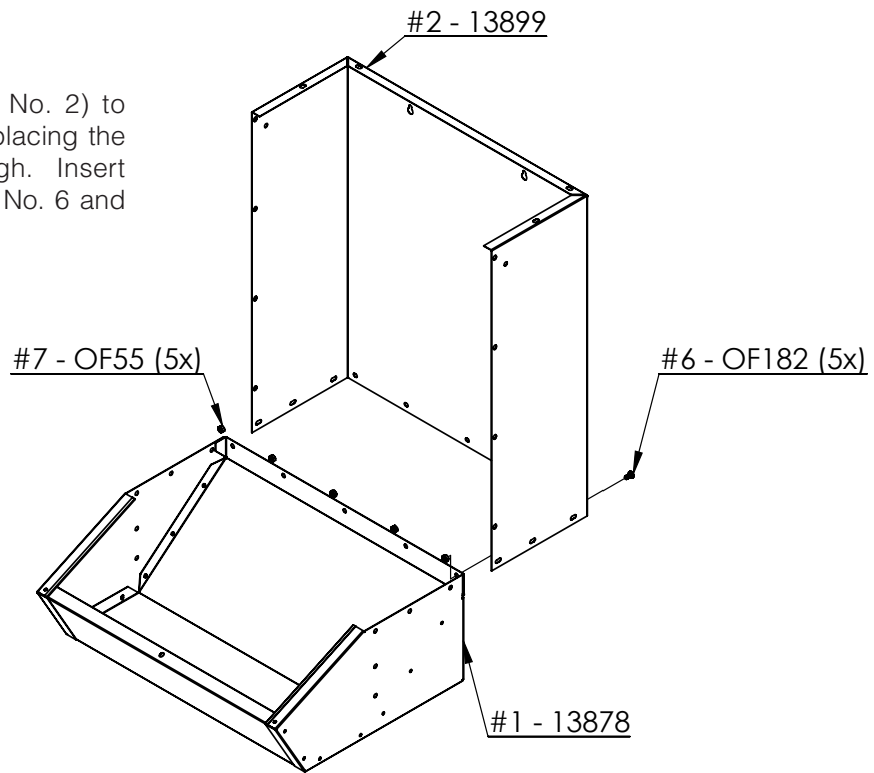
# ASSEMBLY INSTRUCTIONS

DO NOT TIGHTEN ANY FASTENERS UNTIL INSTRUCTED TO DO SO!

For Model 22H/22HP, follow steps 1 through 7. For Model 2HF/2HFP, skip step 6.

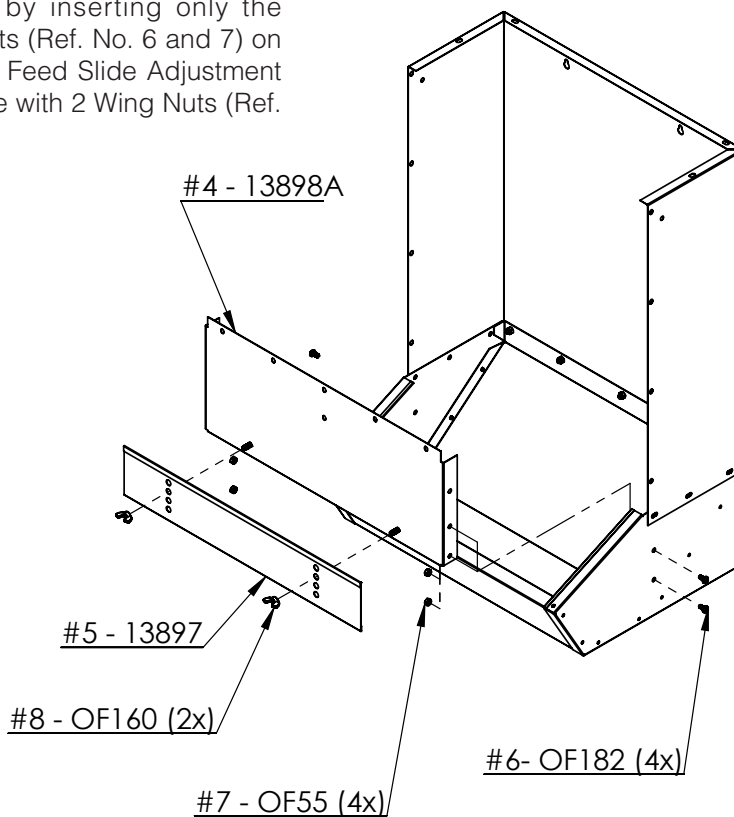
## STEP 1

Attach the Back and Sides (Ref. No. 2) to the Trough Assembly (Ref. No. 1) placing the hopper on the outside of the trough. Insert only the back Bolts and Nuts (Ref. No. 6 and 7).



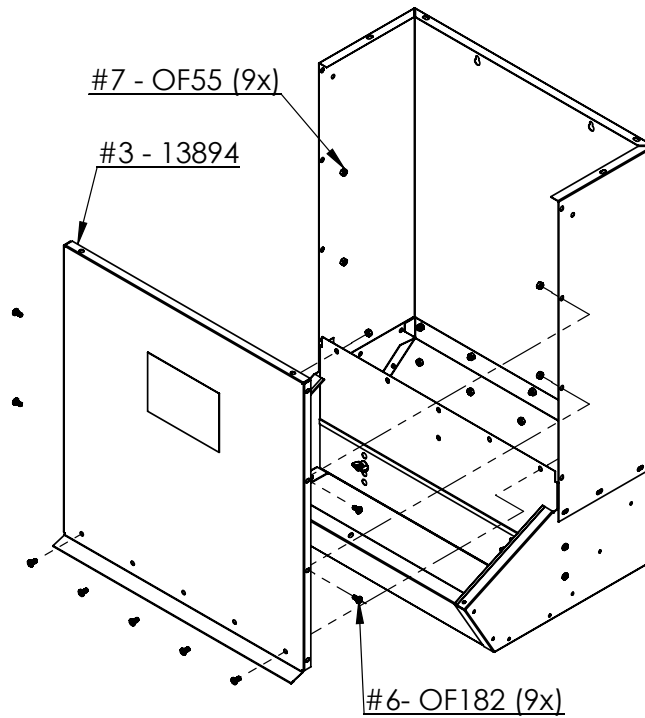
## STEP 2

Install the lower panel (Ref. No. 4) on the inside of the trough by inserting only the bottom 2 Bolts and Nuts (Ref. No. 6 and 7) on both sides. Install the Feed Slide Adjustment (Ref. No. 5) and secure with 2 Wing Nuts (Ref. No. 8).



### STEP 3

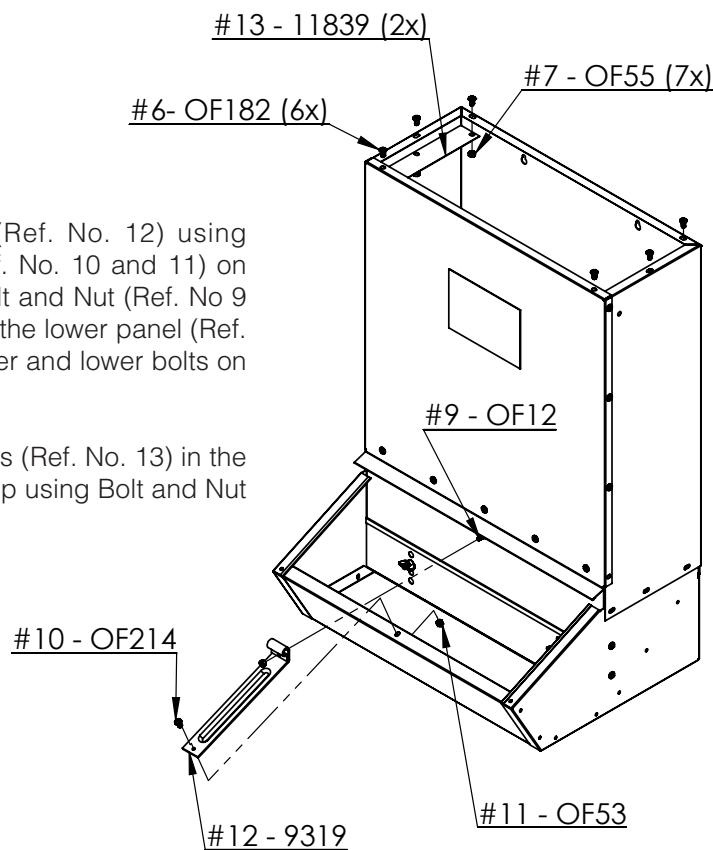
Install the Front Panel (Ref. No. 3) to the outside of the Hopper Back and Sides (Ref. No. 2) inserting Bolts and Nuts (Ref. No. 6 and 7) in the center 2 holes on both sides and all on the front.



### STEP 4

Position Trough Brace (Ref. No. 12) using #10-24 Bolt and Nut (Ref. No. 10 and 11) on trough lip. Insert 1/4" Bolt and Nut (Ref. No 9 and 7) into center hole in the lower panel (Ref. No. 4). Tighten both upper and lower bolts on the trough divider.

Position the Corner Braces (Ref. No. 13) in the underside of the hopper lip using Bolt and Nut (Ref. No. 6 and 7).



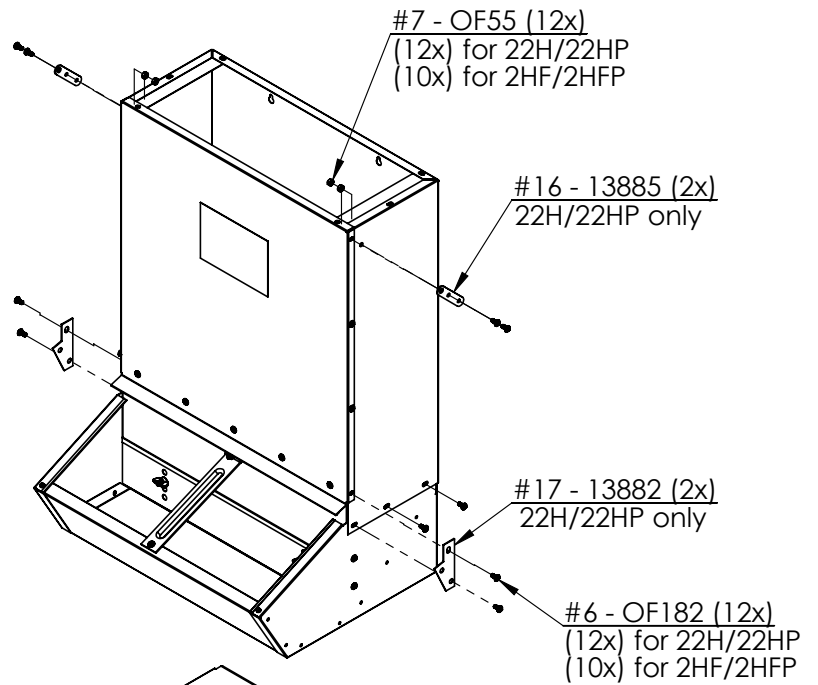
## STEP 5

2HF/2HFP

Install remaining Bolts and Nuts. Tighten all Bolts that you have installed.

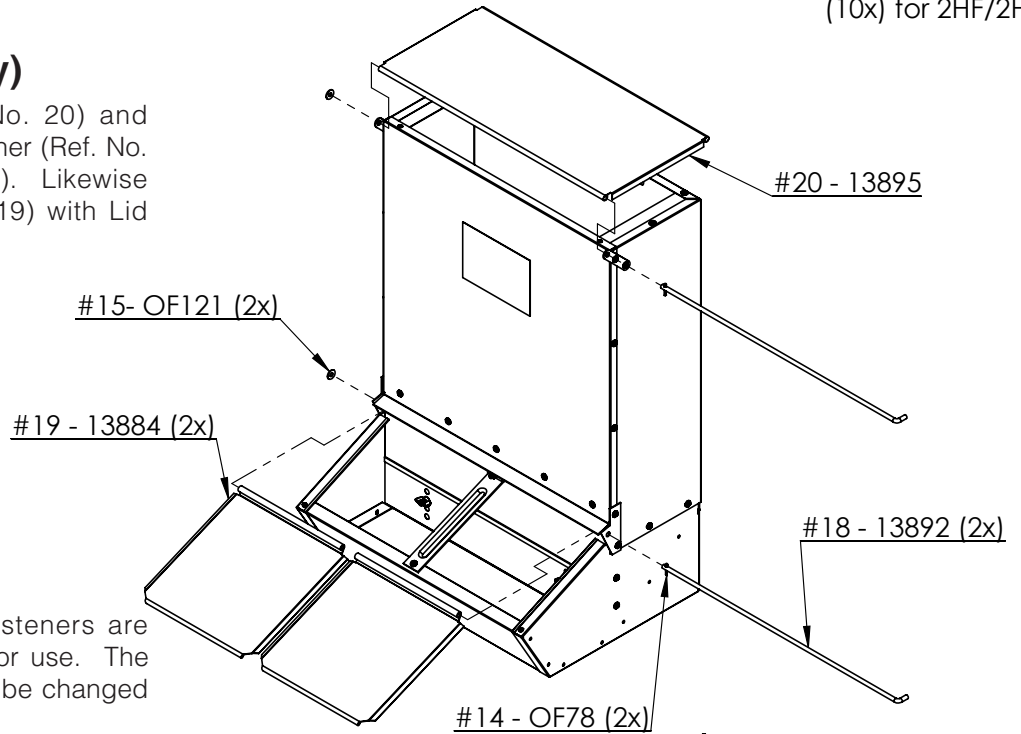
22H/22HP

Place the Top Hinges (Ref. No. 16) in place before inserting top Bolts and Nuts (Ref. No. 6 and 7) on the Front Panel (Ref. No. 3). Position Lid Rod Holders (Ref. No. 17) in position and put remaining Bolts and Nuts in place. Now tighten all Bolts that you have installed.



## STEP 6 (22H/22HP Only)

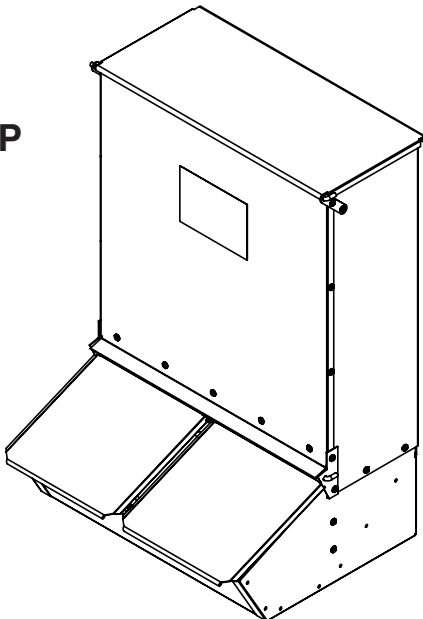
Install the Hopper Top (Ref. No. 20) and insert Lid Rod (Ref. No. 18), Washer (Ref. No. 15) and Cotter Pin (Ref. No. 14). Likewise position Trough Lids (Ref. No. 19) with Lid Rod, Washer and Cotter Pin.



## STEP 7

Check to make sure that all fasteners are secured. Your feeder is ready for use. The feed slide adjustment height can be changed as you desire.

**22H/22HP**



**2HF/2HFP**

